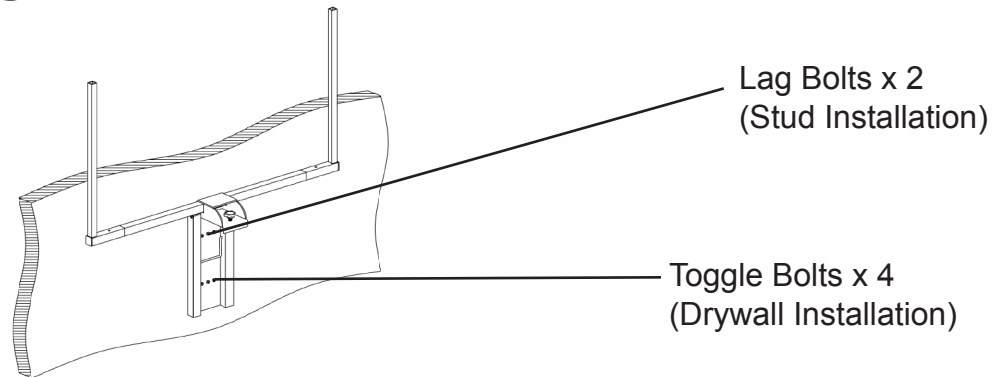




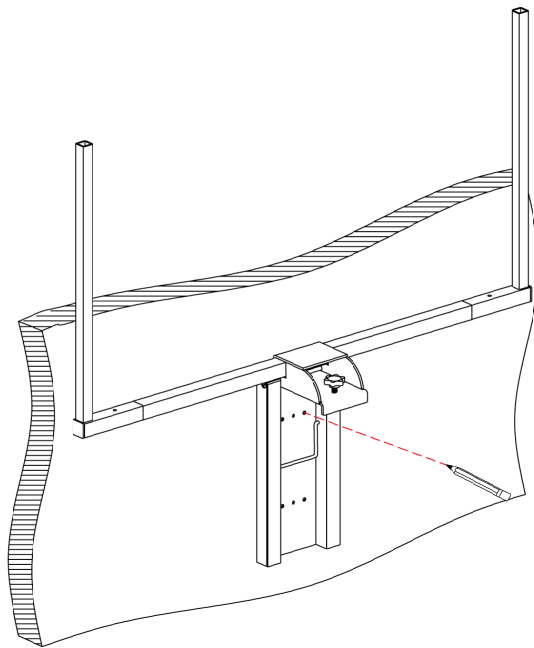
## Wall Mount Instructions for Panorama LED Fixture



### Tools required

Screw driver  
Tape Measure  
Pencil

1. Follow the instructions for assembling the wall mount assembly as shown in supplied instruction manual.



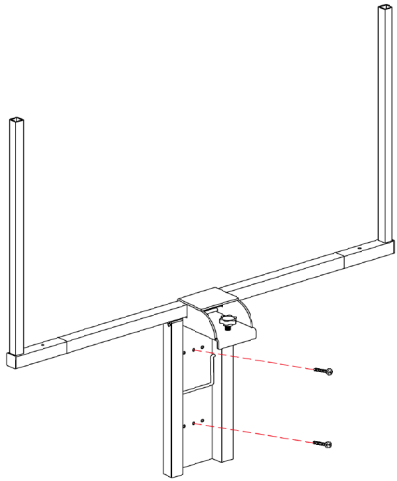
After Measuring & Centering, Mark Hole  
Locations for Stud (2 Holes) or Drywall  
Screws (4 Holes)

2. Next, use the wall mount assembly as the template for marking the holes for installation. Mark the two center holes as shown below for installations where a 2"x4" wall stud is located. If you cannot find a 2"x4" wall stud, use the 4 outer holes and the supplied toggle bolts.

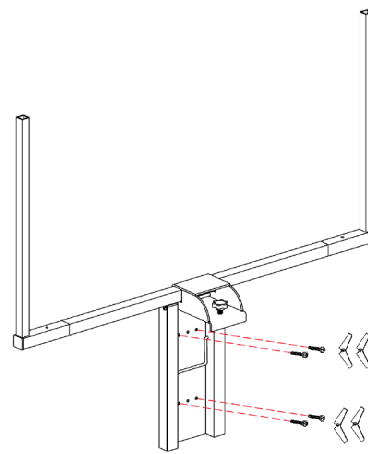
3. Next measure the desired location for centering the wall bracket over your aquarium. Be sure to have the wall mount assembly high enough for the hinge to clear the aquarium top.



## Wall Mount Instructions for Panorama LED Fixture

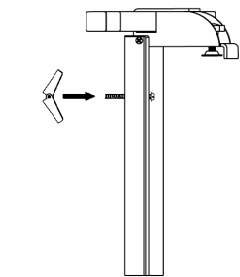


Stud Bolt Installation

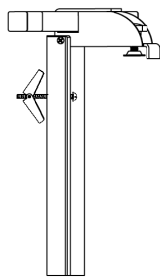


Toggle Bolt Installation

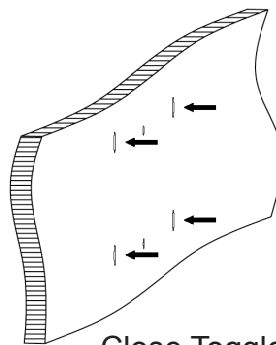
4. Using the pencil mark the holes as necessary. Install either the toggle bolts or lag bolts as shown below.



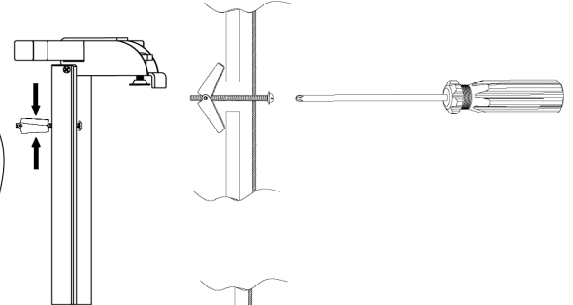
Install 4 Screws



Screw on  
Toggle Bolts



Close Toggle  
Bolts and Install  
into Holes



Tighten Toggle  
Bolt to Screw with  
Screwdriver

5. Once the wall bracket is securely fastened to the wall, you may proceed with the instructions for installing the fixture.

A video for the wall mount installation can be found at- <http://www.ecoxotic.com/community/support/instructional-videos>