



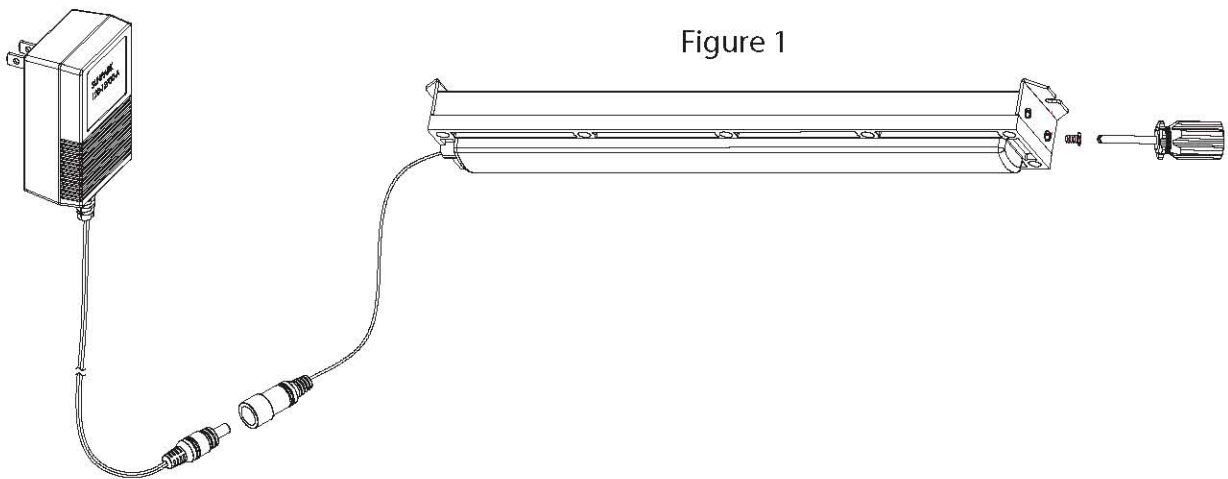
# Instructions

## Adding Additional Panorama Modules To The Panorama LED Light Fixture

**What's included:**  
Flat Plate Mounting Bracket

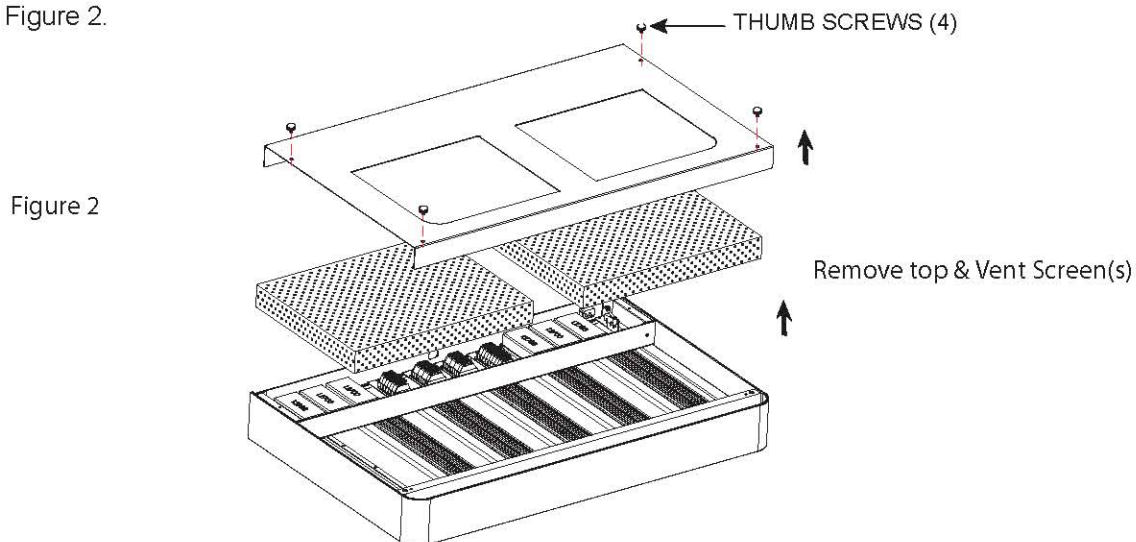
**Tools you will need:**  
Phillips Screwdriver

- 1** Remove the 4 screws from the side L brackets on the Panorama Module being installed as shown (Figure 1.) Save these screws as they will be used to install the flat plate bracket for the Panorama Module.



- 2** Unplug Panorama LED fixture from power outlet and slide fixture off of mounting brackets. Set the fixture on a towel or carpet with top of fixture facing up.

- 3** Unscrew four thumbscrews from top of fixture and remove top. Remove cooling vent screws as shown in Figure 2.



**4** Center and attach flat mounting plate to top of Panorama Module using two screws from L brackets. Screws will thread into the heat sink track of the Panorama Module as shown in Figure 3.

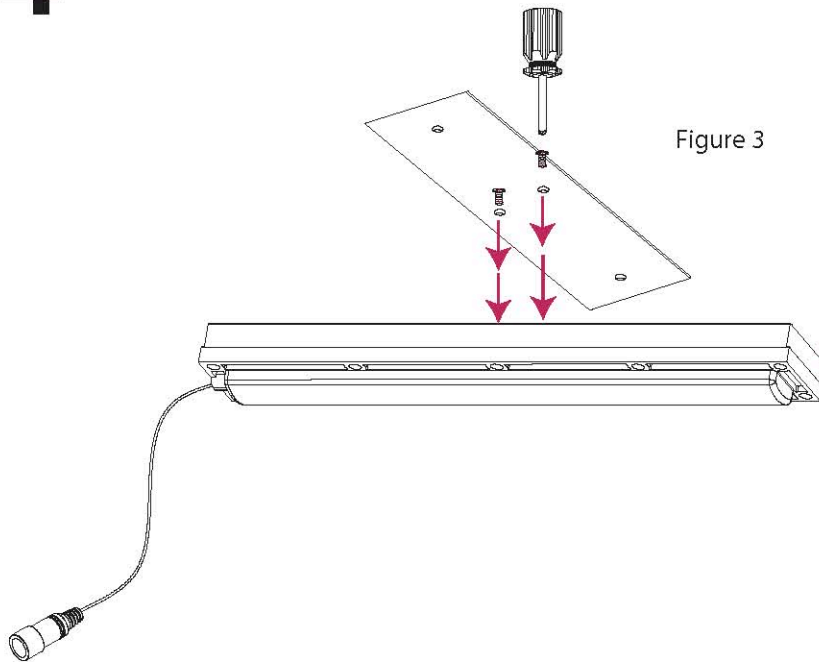
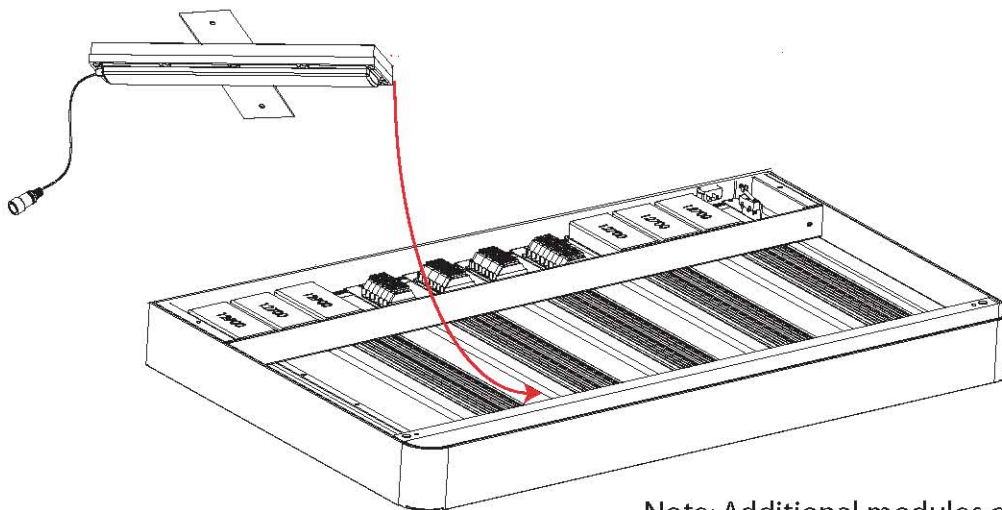


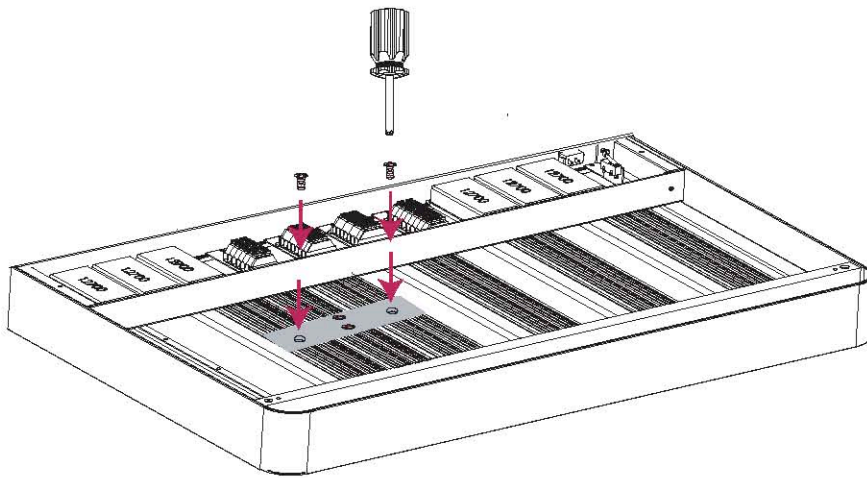
Figure 3

**5** Slide Panorama Module into top of fixture at an angle (between modules,) sliding the front of it under the front of the Panorama Fixture. Slide cable under the fixture and slide module back and even with other modules. Ensure there is a small gap between the modules as it will allow effective air cooling and heat dissipation.



Note: Additional modules can be installed & located between any of the existing modules.

**6** Center and attach flat mounting plate to top of Panorama Module using two screws from L brackets. Screws will thread into the heat sink track of the Panorama Module as shown in Figure 3.



**7** Reassemble screens and install top using 4 thumb screws provided. Reinstall fixture on bracket and plug fixture in.

